

# Diacop

## CIRCULATION PUMP MANIFOLD

### USE

Heating / cooling systems

### FUNCTIONS

**Diacop** manifold allows two circulation pumps for heating and cooling systems to be coupled in parallel.

**Diacop** is available with male threaded connections from 1" to 2", with flanged connections from DN65 to DN100, and is supplied complete with 1/2" sleeve for pressure gauge and 1/2" sleeve for drain.



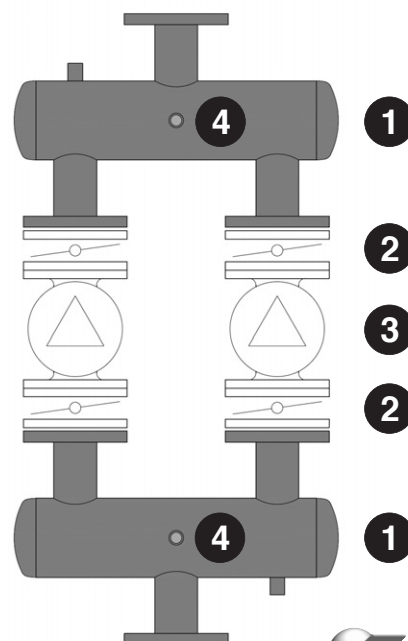
THREADED



FLANGED

TECHNICAL FEATURES	Diacop
Maximum fluid temperature	90°C
Minimum fluid temperature	5°C
Maximum fluid pressure	5 bar
Material	carbon steel EN10255
Threading	male UNI EN10226-1
Flange	PN10/16
Paint	water-based primer, red

### APPLICATION EXAMPLE



- 1: DIACOP
- 2: Interception valves
- 3: Circulation pump
- 4: Ø1/2" sleeve for pressure gauge

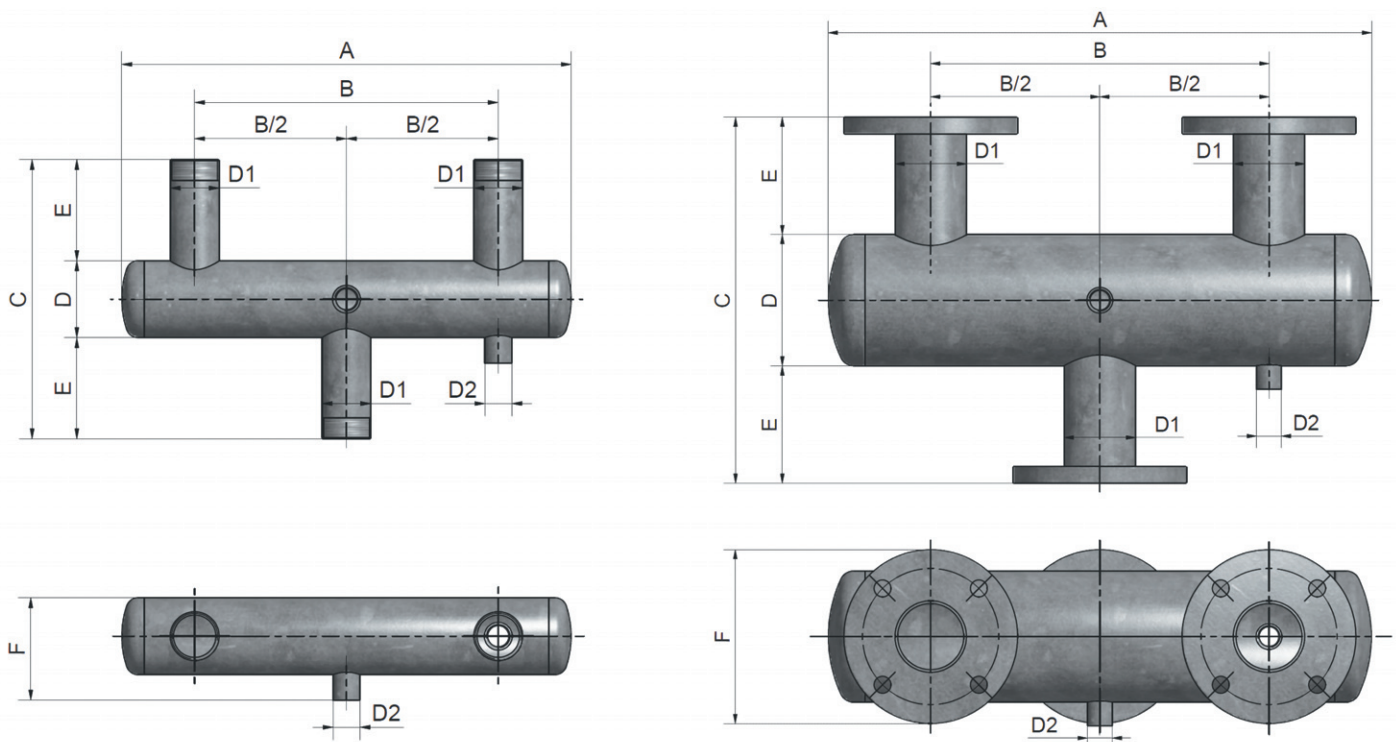
# Diacop

## CIRCULATION PUMP MANIFOLD

### VERSIONS AND CODES

THREADED	CONNECTIONS			
	1"	1"1/4	1"1/2	2"
	P001	P114	P112	P002
FLANGED	DN 65	DN 80	DN 100	
	P212	P003	P004	

### OVERALL SIZE



Code	A	B	C	D	D1	D2	E	F
P001	402	260	260	2"	1"	Male threaded ISO 7/1	Rp 1/2" F	85
P114	404	260	276	2"1/2	1"1/4	Male threaded ISO 7/1	Rp 1/2" F	101
P112	444	300	276	2"1/2	1"1/2	Male threaded ISO 7/1	Rp 1/2" F	101
P002	540	360	314	4"	2"	Male threaded ISO 7/1	Rp 1/2" F	140
P212	580	360	390	5"	DN 65	Flange PN10 - 16 • No. of holes 4	Rp 1/2" F	188
P003	640	400	390	5"	DN 80	Flange PN10 - 16 • No. of holes 8	Rp 1/2" F	200
P004	660	400	418	6"	DN 100	Flange PN10 - 16 • No. of holes 8	Rp 1/2" F	220

### EXAMPLE OF SPECIFICATIONS

Circulation pump manifold - **DIACOP**, threaded connections 2" M, sleeve for pressure gauge 1/2" F, sleeve for drain valve 1/2" F, max. temperature 90°C, min. temperature 5°C, max. pressure 5 bar, material carbon steel EN10255, painted with red water-based primer

Brand: **COMPARATO**  
Code: **P002**

UPDATED DATA SHEETS AVAILABLE AT [www.comparato.com](http://www.comparato.com)

In order to provide an up-to-date service, Comparato Nello S.r.l. reserves the right to modify technical data, drawings, graphs and photos of this data sheet at any time, without prior notice.



**HYDROTHERMAL SYSTEMS**  
**COMPARATO NELLO s.r.l.**

17014 CAIRO MONTENOTTE (SV) ITALIA VIALE DELLA LIBERTÀ • LOCALITÀ FERRANIA • Tel. +39 019 510.371 - FAX +39 019 517.102

[www.comparato.com](http://www.comparato.com) e-mail: [info@comparato.com](mailto:info@comparato.com)

UNI EN ISO 9001:2015 CERTIFIED COMPANY