

SINTESE DC

MOTORIZED BALL VALVE
2 POSITION (0°-90°) – 3 POSITION (0°-45°-90°) CONTROL

Body Valve

2 positions · 0°- 90°



2 WAY



3 WAY



BY PASS

Actuator



ISO 5211

Connection kit



Body Valve

3 positions · 0°- 45°- 90°



6 WAY

Fast Push



APPLICATIONS

- Heating and cooling systems (HVAC-R)
- Solar thermal systems
- Domestic water systems
- Alternative Energy systems
- General automation system

SPECIFICATIONS

BODY VALVES *

- **Valve type:** ball valve
- **Body pattern:** 2-way, 3-way, by-pass, 6-way
- **Connection type:** Male according to standard ISO228/1
- **Controlled fluid:** Hot or chilled water with up to 30% glycol, domestic hot or cold water
- **Nominal pressure:** PN16
- **Max. differential pressure:** 16 bar
- **Fluid temperature:** +5°C to 90°C/100°C
- **Materials**
 - Body, ball and stem: brass CW617N / CW602N (DZR) UNI EN 12165 (depending on the valve type)
 - Seats: P.T.F.E
 - O-ring: EPDM
- **Connection to actuator:** FAST (without screws) patented

* For further information about ball valves please see Sintesi Technical Datasheet 48.2-17.

MAIN FEATURES

- 2-way, 3-way, by-pass and 6-way body valves
- Size from 1/2" to 1" all PN16
- Fast connection between body valve and actuator (patented)
- 2 point or 3 point (on/off or modulating control)
- Feedback output phases
- Position arrow on the top of the actuator
- Manual override function

ACTUATOR

- **Functioning:** on/off
- **Control:**
 - 2 positions (2-point, 3-point)
 - 3 positions
- **Rotation:**
 - 2 positions: 0°-90°
 - 3 positions: 0°-45°-90°
- **Position indicator:** rotating arrow
- **Motor:** stepper
- **Power supply:** 12V DC, 24V DC
- **Power consumption:** max 2 VA
- **Electrical connection:** black cable 80 cm length, 5 x 0,35 mm²
- **Operating time (90°):**
 - 60 and 120 sec for 12V version
 - 30, 60 and 120 sec for 24V version
- **Feedback output phases:** feedback phase for open-mid-close position according to the control
- **Nominal torque:** 5 Nm (max 7÷10 Nm, according to the operating time)
- **Ambient temperature:** +5°C to +50°C
- **Environmental Protection Ratings:** IP54
- **Electrical insulation class:** II



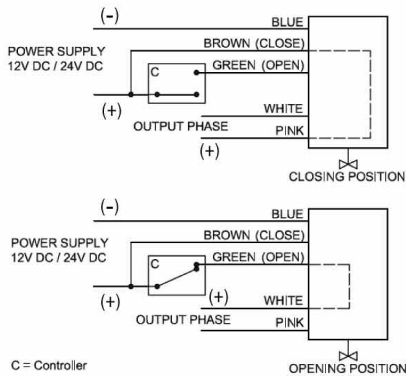
SINTESI DC

MOTORIZED BALL VALVE
2 POSITION (0°-90°) – 3 POSITION (0°-45°-90°) CONTROL

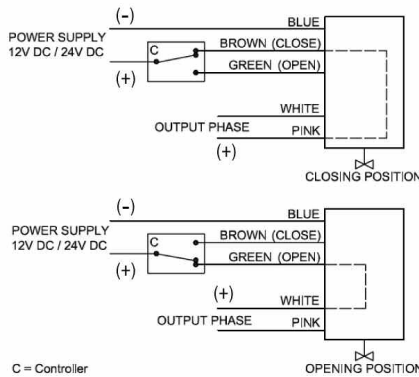
WIRING DIAGRAMS

2 POSITIONS

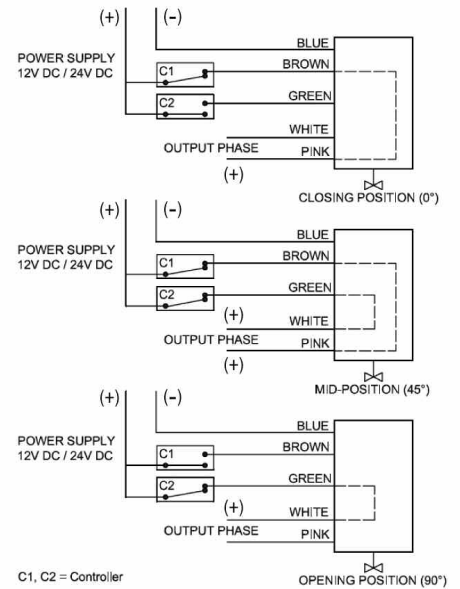
2-POINT CONNECTION



3-POINT CONNECTION

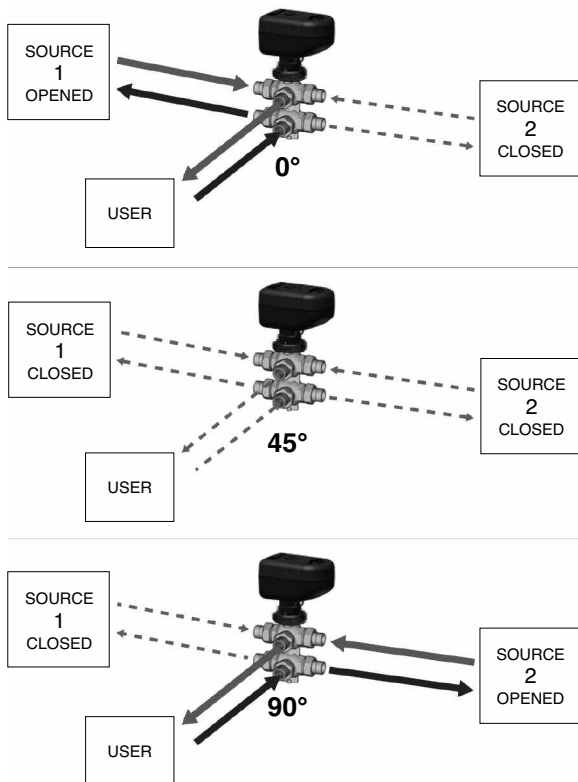


3 POSITIONS



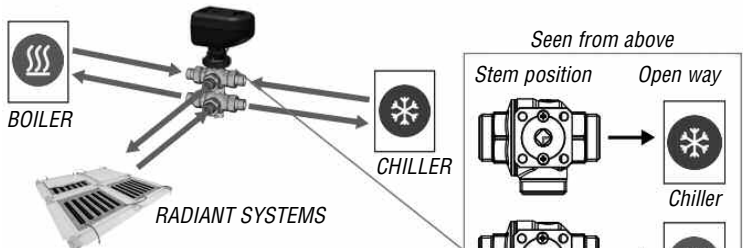
6-WAY BODY VALVE

VALVE FUNCTIONING SCHEME

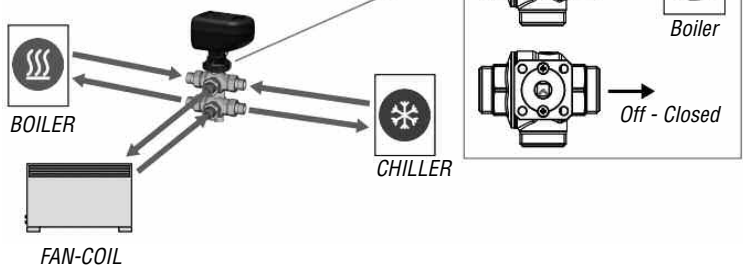


OPERATING DIAGRAMS

Operating diagram with radiant systems



Operating diagram with fan-coil



UPDATED DATA SHEETS AVAILABLE ON THE WEBSITE www.comparato.com



HYDROTHERMAL SYSTEMS
COMPARATO NELLO SRL

17014 CAIRO MONTENOTTE (SV) ITALIA VIALE DELLA LIBERTÀ, 53 • LOCALITÀ FERRANIA • Tel. +39 019 510.371 - FAX +39 019 517.102

www.comparato.com

e-mail: info@comparato.com

UNI EN ISO 9001:2008 CERTIFIED COMPANY